

UHC2010 Universal Home Console

Designed for OEMs and SYSTEMS INTEGRATORS



Quickly Integrates with your product or custom installation.

- Simple customization
- Runs any HTML / JavaScript webpage you create.
- Packaged with sample code, documentation, and free applications downloadable from our website
- Upload to the panel or pull content from your web server
- Simple Ethernet connection to PC or media server, powered over Ethernet
- Custom colors, finishes, logos available
- Easy wall-mounting brackets for new construction or retrofit
- Proven in residential and commercial installations

The UHC2010 integrates a wide variety of features into a single package including WVGA Color Touch Panel screen, RFID Reader, Touch Wheel, and PoE Ethernet for power and communication. An open platform operating system supports a wide variety of existing free and Open Source Software (FOSS) applications which dramatically reduces integration costs and time.

Designed specifically for OEMs and System Integrators, the Universal Home Console provides a simple, innovative and cost effective Home Control and MDU solution.

FEATURES

- High Performance processor architecture supports rich content and high end user applications
- Low power consumption and Power over Ethernet connectivity allows for reduced wiring infrastructure
- No rotating mechanical parts such as Cooling fans or Hard Drives makes it robust and low maintenance
- Integrated Touch Wheel, RFID reader, Speaker, Microphone and Camera
- Full HTML5/CSS/JavaScript support allows for easy customized application development using industry standard tools

APPLICATIONS

- Home Automation Control
- Residential and Commercial Lighting Control systems
- Security Monitoring and control
- Video Conferencing / Streaming
- Entry systems
- Video Intercom and VoIP applications
- KIOSK installations
- Multi-Room Audio Control Point

151 Amber Street, Unit 1
Markham ON
L3R 3B3 Canada
www.arcx.com

arcx
PROSUMER

Technical Specifications

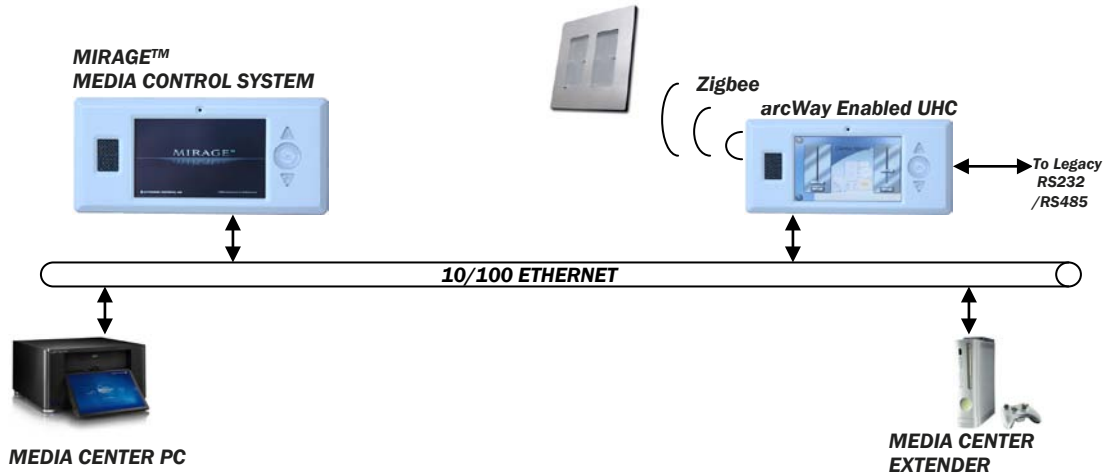
CUSTOMIZATION

In addition to the standard offerings, other form factors are available from small, integrated OEM modules to larger screen versions.

We offer a wide range of Hardware and Software customization and support services to target your specific needs.



Integration into Media Center Ecosystem



Hardware

- Freescale® ARM 1136JF-S i.MX31 processor running up to 532 MHz
- NAND flash memory 64 MB
- NOR flash memory 2MB
- Low-power 266 MHz DDR SDRAM memory 128 MB
- PC card expansion CompactFlash Type I card (OPTIONAL)
- SD/MMC support (OPTIONAL)

Interfaces

- 10/100 Base-T Ethernet controller, with PoE (802.3af compliant)
- USB 2.0 high-speed host interface
- USB 2.0 high-speed On-the-Go device interface
- Two RS232 ports

Display

- Integrated LCD 800x480 16bits per pixel, contrast ratio 240, 320 nits
- Built-in LCD and controller capable of 800 x 600 x 18-bits per pixel
- Integrated 4-wire touch screen controller

Audio

- I2S compliant audio codec (Freescale MC13783)
- 16-bit stereo DAC, 13-bit ADC
- Stereo IN, Stereo OUT, HEADPHONE

Details

- Complete Unit (WxDxH): 4.5" x 10" x 2"
- OEM Module (WxDxH): 4" x 8.3" x 1.4"
- System Power Consumption 9 Watts

Warranty

- 1 Year Limited*

Linux Integration Options

- Qt/Embedded Graphics Library
- Support GNASH (Flash Player) and decoders for royalty free gStreamer CODECS
- Remote Firmware updates via Ethernet
- VoIP Software - Video Intercom Software
- HTML 5 Web Browser (Webkit)

Supported Home Automation Compatibility

- Autonomic Controls Mirage™
- Embedded Automations M-Control
- LinuxMCE
- Matrix Audio (now AMX) iControl
- arcX uControl software package

OPTIONAL

- Integrated 802.11 Wireless Access Point
- Integrated arcWay DPWS to Zigbee Gateway

Device Management

- Internet Explorer® v6 or Later
- Integrated axMC Management Console

Certifications

- Pending FCC Class B
- Pending CE

ORDERING INFORMATION

DESCRIPTION	PART NUMBER	PRICE
Universal Home Controller OEM Module (requires board support package)	AXM-UHC2000-0000	
Universal Home Controller w/ Wall Mount Enclosure and Faceplate	AXM-UHC2010-0100	
Universal Home Controller w/ Wall Mount Enclosure, Faceplate, Zigbee Gateway	AXM-UHC2010-0200	

151 Amber Street, Unit 1
Markham ON
L3R 3B3 Canada
www.arcx.com

arcx
PROSUMER